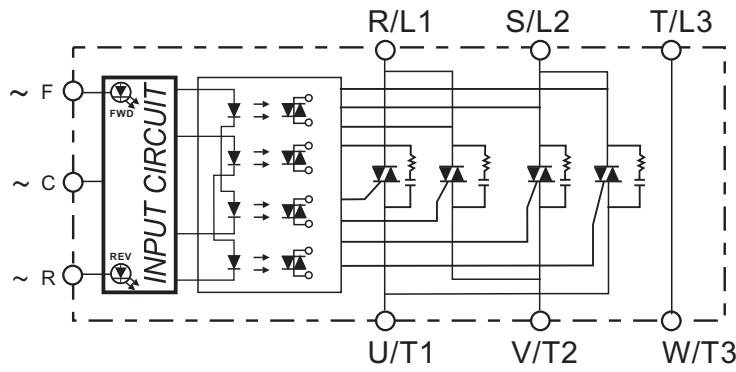
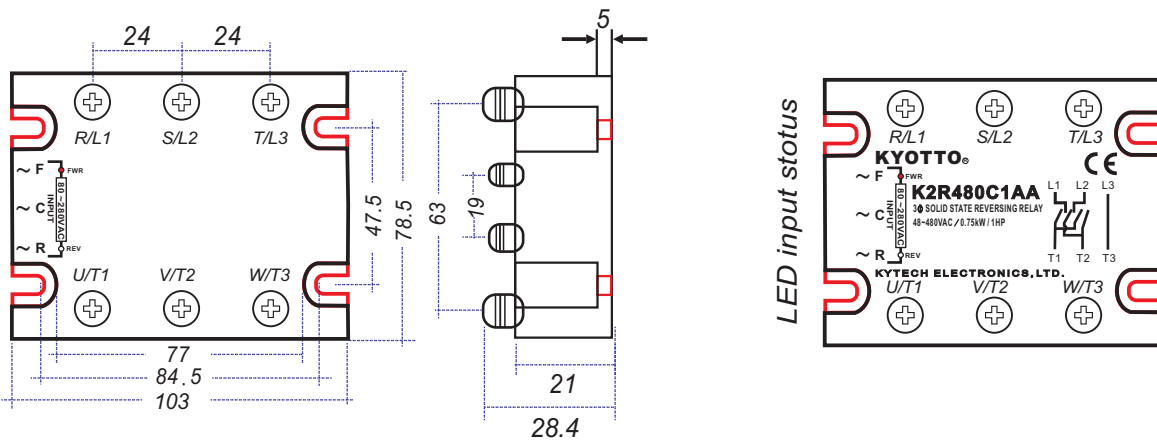


EQUIVALENT CIRCUIT

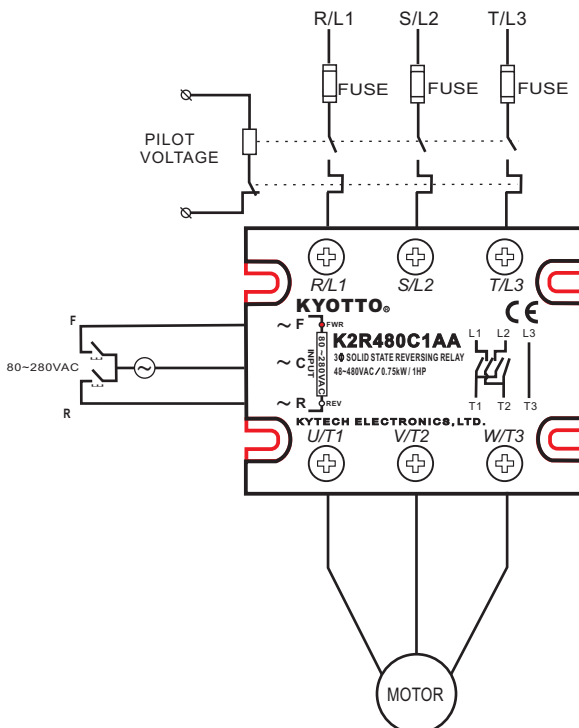
❖ AC INPUT



MECHANICAL DIMENSIONS (Unit:mm)

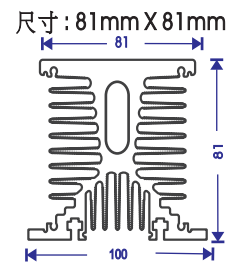
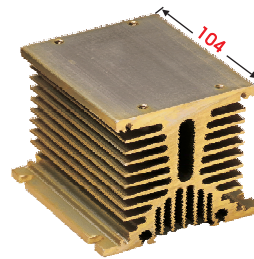


EXAMPLE APPLICATION



HEAT SINK

❖ KH104-104



❖ KH197

